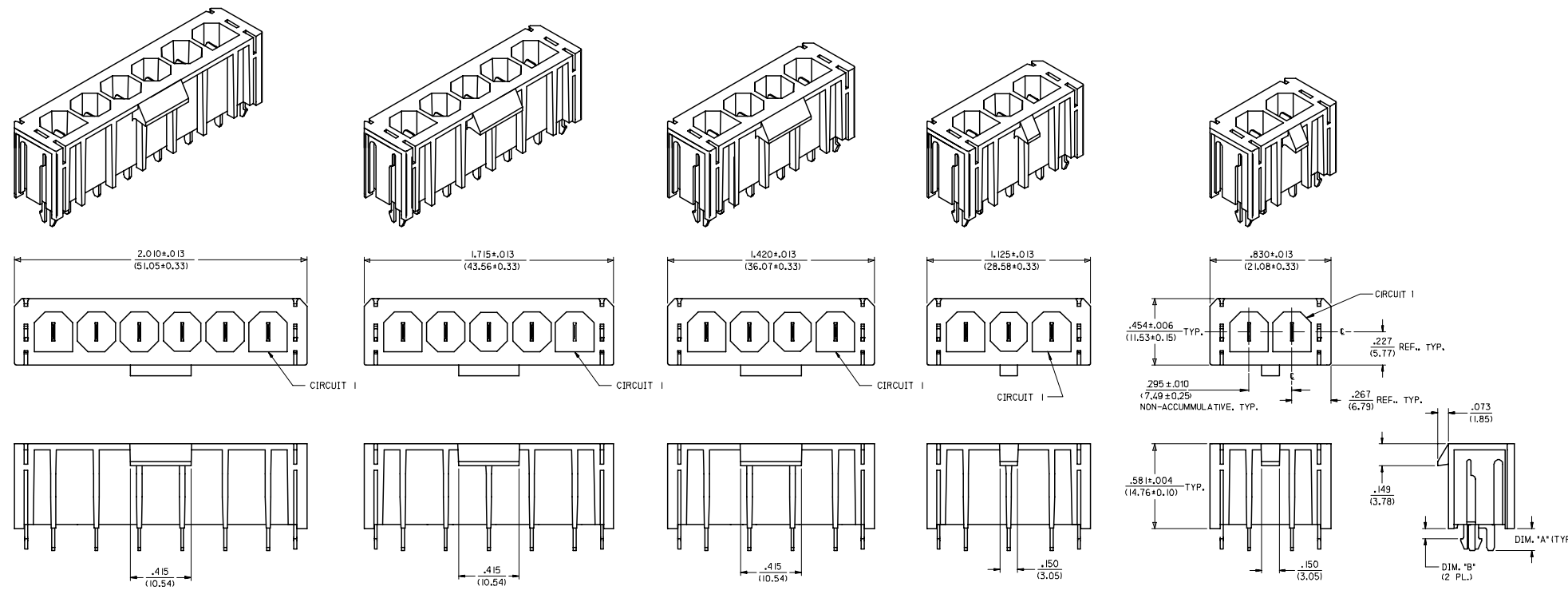


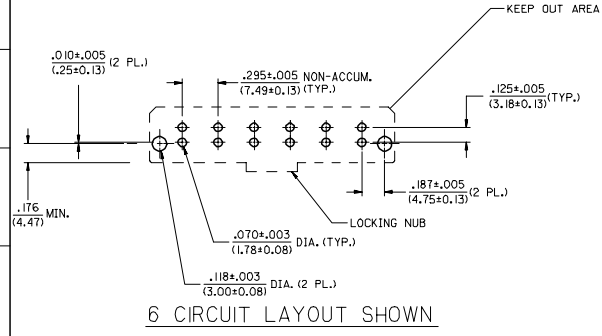
20 19 18 17 16 15 14 13 12 11 10 9 8 7 6 5 4 3 2 1



SEE SHEET 2 AND 3 FOR ITEM NUMBER CHART

**RECOMMENDED P.C. BOARD LAYOUT FOR VERTICAL HEADERS**

SCALE 2:1



6 CIRCUIT LAYOUT SHOWN

**NOTES:**

- INSULATOR MATERIAL (SEE CHART):  
 A = 30\* GLASS FILLED 46 NYLON, 94V-0, COLOR: BLACK.  
 B = UNFILLED 66 NYLON, 94V-2, COLOR: NATURAL (TRANSLUCENT).  
 NOTE: HEADER ASSEMBLIES IN 94V-2, 66 NYLON, ARE ONLY APPROVED FOR WAVE SOLDERING PROCESSES.  
 TERMINAL MATERIAL: C26000 BRASS
- TERMINAL FINISH: 35 MICRONCH (0.88 MICROMETER) MINIMUM TIN OVER 20 MICRONCH (0.50 MICROMETER) MINIMUM COPPER.  
 • THE PRIMARY SHIPPING CARTON WILL BE LABELED "COMPLIANT TO ROHS DIRECTIVE 2002/95/EC AND ELV ANNEX II OF DIRECTIVE 2000/53/EC." CARTONS WITHOUT THIS LABEL MAY CONTAIN PRODUCT WITH TIN-LEAD IN THE PC TAILS.
- PRODUCT SPECIFICATION: PSX-44441-9999.
- PACKAGING: SEE CHART.
- THESE HEADERS MATE WITH 43179, 43355, OR 44441 RECEPTACLE HOUSINGS.
- SEE SHEETS 1, 2 AND 3, FOR VERTICAL HEADER ASSEMBLIES AND THEIR RESPECTIVE PART NUMBERS.
- SEE SHEETS 4, 5 AND 6, FOR RIGHT ANGLE HEADER ASSEMBLIES AND THEIR RESPECTIVE PART NUMBERS.
- DIMENSIONS ARE FOR REFERENCE ONLY, UNLESS INDICATED OTHERWISE.

SOLDER TAIL	DIM. "A" ±.020/(0.51)
SHORT	.150/(3.81)
LONG	.210/(5.33)

BOARD LOCK	DIM. "B" ±.004/(0.15)
.062	.070/(1.78)
.094	.102/(2.59)
.125	.133/(3.38)

6	HI
5	H
4	HI
3	H
2	H
1	HI
SHT. REV.	

ADD CTR/CTR FOR 2 CKT EC NO: UCP2007-0489 DRWNS/STENART 2006/08/29 CHKCD/BN KRUIS 2006/08/31 APPR:BN KRUIS 2006/08/31	QUALITY SYMBOLS	GENERAL TOLERANCES (UNLESS SPECIFIED)	DIMENSION STYLE IN/MM	SCALE 3:1	DESIGN UNITS INCH	THIRD ANGLE PROJECTION	
	▽=0 ▽=0	4 PLACES ± --- ± --- 3 PLACES ± --- ± .005 2 PLACES ± 0.13 ± .01 1 PLACE ± 0.25 ± --- ANGULAR ±1/2°	DRAWN BY DATE GC 11/30/95 CHECKED BY DATE KBP 11/30/95 APPROVED BY DATE RAS 11/30/95	TITLE	SABRE HEADER, ASSY VERTICAL, 2-6 & 8 CIR. .125/(3.18)X .020/(0.51)		
	DRAFT WHERE APPLICABLE MUST REMAIN WITHIN DIMENSIONS	SEE CHART	MATERIAL NO.	DOCUMENT NO.	MOLEX INCORPORATED SDA-43160-****		
	SIZE D	THIS DRAWING CONTAINS INFORMATION THAT IS PROPRIETARY TO MOLEX INCORPORATED AND SHOULD NOT BE USED WITHOUT WRITTEN PERMISSION			SHEET NO. 1 OF 6		

	16					14					12					10					8					6					4					2					1																															
	VERTICAL HEADER ASSEMBLY ITEM NO.	PART CHARACTERISTICS FOR VERTICAL HEADER				PACKAGING SPECIFICATIONS	VERTICAL HEADER ASSEMBLY ITEM NO.	PART CHARACTERISTICS FOR VERTICAL HEADER				PACKAGING SPECIFICATIONS	VERTICAL HEADER ASSEMBLY ITEM NO.	PART CHARACTERISTICS FOR VERTICAL HEADER				PACKAGING SPECIFICATIONS	VERTICAL HEADER ASSEMBLY ITEM NO.	PART CHARACTERISTICS FOR VERTICAL HEADER				PACKAGING SPECIFICATIONS	VERTICAL HEADER ASSEMBLY ITEM NO.	PART CHARACTERISTICS FOR VERTICAL HEADER				PACKAGING SPECIFICATIONS	VERTICAL HEADER ASSEMBLY ITEM NO.	PART CHARACTERISTICS FOR VERTICAL HEADER				PACKAGING SPECIFICATIONS																																				
	CIRCUIT SIZE	HSG. MAT'L (SEE NOTE 1)	SOLDER TAIL	BOARD LOCK		CIRCUIT SIZE	HSG. MAT'L (SEE NOTE 1)	SOLDER TAIL	BOARD LOCK		CIRCUIT SIZE	HSG. MAT'L (SEE NOTE 1)	SOLDER TAIL	BOARD LOCK		CIRCUIT SIZE	HSG. MAT'L (SEE NOTE 1)	SOLDER TAIL	BOARD LOCK		CIRCUIT SIZE	HSG. MAT'L (SEE NOTE 1)	SOLDER TAIL	BOARD LOCK		CIRCUIT SIZE	HSG. MAT'L (SEE NOTE 1)	SOLDER TAIL	BOARD LOCK		CIRCUIT SIZE	HSG. MAT'L (SEE NOTE 1)	SOLDER TAIL	BOARD LOCK		CIRCUIT SIZE	HSG. MAT'L (SEE NOTE 1)	SOLDER TAIL	BOARD LOCK																																	
M	43160-0102	2	A	SHORT	N/A	PK-43160-0010	43160-0104	4	A	SHORT	N/A	PK-43160-0010	43160-0106	6	A	SHORT	N/A	PK-43160-0010	43160-0202	2	B	SHORT	N/A	PK-43160-0010	43160-0204	4	B	SHORT	N/A	PK-43160-0010	43160-0206	6	B	SHORT	N/A	PK-43160-0010	43160-0302	2	A	LONG	N/A	PK-43789-001	43160-0304	4	A	LONG	N/A	PK-43789-001	43160-0306	6	A	LONG	N/A	PK-43789-001	43160-0402	2	B	LONG	N/A	PK-43789-001	43160-0404	4	B	LONG	N/A	PK-43789-001	43160-0406	6	B	LONG	N/A	PK-43789-001
L	43160-2102	2	A	SHORT	.062	PK-43789-001	43160-2104	4	A	SHORT	.062	PK-43789-001	43160-2106	6	A	SHORT	.062	PK-43789-001	43160-2202	2	B	SHORT	.062	PK-43789-001	43160-2204	4	B	SHORT	.062	PK-43789-001	43160-2206	6	B	SHORT	.062	PK-43789-001	43160-4102	2	A	SHORT	.094	PK-43789-001	43160-4104	4	A	SHORT	.094	PK-43789-001	43160-4106	6	A	SHORT	.094	PK-43789-001	43160-4202	2	B	SHORT	.094	PK-43789-001	43160-4204	4	B	SHORT	.094	PK-43789-001	43160-4206	6	B	SHORT	.094	PK-43789-001
K	43160-4302	2	A	LONG	.094	PK-43789-001	43160-4304	4	A	LONG	.094	PK-43789-001	43160-4306	6	A	LONG	.094	PK-43789-001	43160-4402	2	B	LONG	.094	PK-43789-001	43160-4404	4	B	LONG	.094	PK-43789-001	43160-4406	6	B	LONG	.094	PK-43789-001	43160-6302	2	A	LONG	.125	PK-43789-001	43160-6304	4	A	LONG	.125	PK-43789-001	43160-6306	6	A	LONG	.125	PK-43789-001	43160-6402	2	B	LONG	.125	PK-43789-001	43160-6404	4	B	LONG	.125	PK-43789-001	43160-6406	6	B	LONG	.125	PK-43789-001
J	43160-0103	3	A	SHORT	N/A	PK-43160-0010	43160-0105	5	A	SHORT	N/A	PK-43160-0010	43160-0107	7	A	SHORT	N/A	PK-43160-0010	43160-0203	3	B	SHORT	N/A	PK-43160-0010	43160-0205	5	B	SHORT	N/A	PK-43160-0010	43160-0207	7	B	SHORT	N/A	PK-43160-0010	43160-0303	3	A	LONG	N/A	PK-43789-001	43160-0305	5	A	LONG	N/A	PK-43789-001	43160-0307	7	A	LONG	N/A	PK-43789-001	43160-0403	3	B	LONG	N/A	PK-43789-001	43160-0405	5	B	LONG	N/A	PK-43789-001	43160-0407	7	B	LONG	N/A	PK-43789-001
I	43160-2103	3	A	SHORT	.062	PK-43789-001	43160-2105	5	A	SHORT	.062	PK-43789-001	43160-2107	7	A	SHORT	.062	PK-43789-001	43160-2203	3	B	SHORT	.062	PK-43789-001	43160-2205	5	B	SHORT	.062	PK-43789-001	43160-2207	7	B	SHORT	.062	PK-43789-001	43160-4103	3	A	SHORT	.094	PK-43789-001	43160-4105	5	A	SHORT	.094	PK-43789-001	43160-4107	7	A	SHORT	.094	PK-43789-001	43160-4203	3	B	SHORT	.094	PK-43789-001	43160-4205	5	B	SHORT	.094	PK-43789-001	43160-4207	7	B	SHORT	.094	PK-43789-001
H	43160-4303	3	A	LONG	.094	PK-43789-001	43160-4305	5	A	LONG	.094	PK-43789-001	43160-4307	7	A	LONG	.094	PK-43789-001	43160-4403	3	B	LONG	.094	PK-43789-001	43160-4405	5	B	LONG	.094	PK-43789-001	43160-4407	7	B	LONG	.094	PK-43789-001	43160-6303	3	A	LONG	.125	PK-43789-001	43160-6305	5	A	LONG	.125	PK-43789-001	43160-6307	7	A	LONG	.125	PK-43789-001	43160-6403	3	B	LONG	.125	PK-43789-001	43160-6405	5	B	LONG	.125	PK-43789-001	43160-6407	7	B	LONG	.125	PK-43789-001

<b>SEE SHEET ONE</b> EC NO: UCP2006-2164 2006/03/17 H DRINKSTENART 2006/03/28 CHK:CBM/RKUS 2006/03/28 APPR:BM/RKUS 2006/03/29	QUALITY SYMBOLS	GENERAL TOLERANCES (UNLESS SPECIFIED)	DIMENSION STYLE	SCALE	DESIGN UNITS	THIRD ANGLE PROJECTION																				
	$\nabla=0$ $\nabla=0$	<table border="1"> <tr><th>mm</th><th>INCH</th></tr> <tr><td>4 PLACES ± .005</td><td>± .005</td></tr> <tr><td>3 PLACES ± .005</td><td>± .005</td></tr> <tr><td>2 PLACES ± 0.13</td><td>± .01</td></tr> <tr><td>1 PLACE ± 0.25</td><td>± .01</td></tr> <tr><td>ANGULAR</td><td>± 1/2°</td></tr> </table>	mm	INCH	4 PLACES ± .005	± .005	3 PLACES ± .005	± .005	2 PLACES ± 0.13	± .01	1 PLACE ± 0.25	± .01	ANGULAR	± 1/2°	<table border="1"> <tr><th>IN/MM</th><th>DATE</th></tr> <tr><td>DRAWN BY GC</td><td>11/30/95</td></tr> <tr><td>CHECKED BY KBP</td><td>11/30/95</td></tr> <tr><td>APPROVED BY RAS</td><td>11/30/95</td></tr> </table>	IN/MM	DATE	DRAWN BY GC	11/30/95	CHECKED BY KBP	11/30/95	APPROVED BY RAS	11/30/95	1:1	INCH	<input checked="" type="checkbox"/>
	mm	INCH																								
	4 PLACES ± .005	± .005																								
3 PLACES ± .005	± .005																									
2 PLACES ± 0.13	± .01																									
1 PLACE ± 0.25	± .01																									
ANGULAR	± 1/2°																									
IN/MM	DATE																									
DRAWN BY GC	11/30/95																									
CHECKED BY KBP	11/30/95																									
APPROVED BY RAS	11/30/95																									
DRAFT WHERE APPLICABLE MUST REMAIN WITHIN DIMENSIONS	SEE CHART	MATERIAL NO. SDA-43160-****	DOCUMENT NO. SDA-43160-****	SHEET NO. 2 OF 6	TITLE SABRE HEADER ASSY VERTICAL, 2-6 & 8 CIR.	MOLEX INCORPORATED																				
THIS DRAWING CONTAINS INFORMATION THAT IS PROPRIETARY TO MOLEX INCORPORATED AND SHOULD NOT BE USED WITHOUT WRITTEN PERMISSION																										